

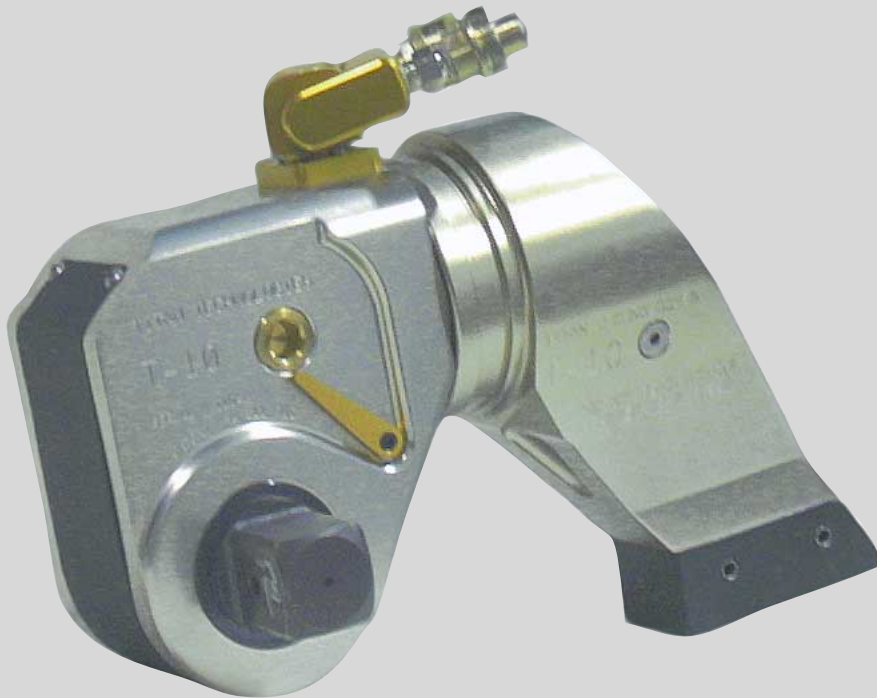


TITAN
TECHNOLOGIES INTERNATIONAL, INC

Dependable • Fast • Efficient

TITAN T-Series
Hydraulic Torque Wrenches

are an integral element to get
your bolting job done right, on time, every time



TITAN is a leading bolting solutions provider committed to offering the most reliable and comprehensive bolting solutions world wide.



TITAN

TECHNOLOGIES INTERNATIONAL, INC

T-Series

Hydraulic Torque Wrenches



- **Calibrated & ready for use**
- **Powerful**
- **Compact**
- **Accurate**
- **Durable**



- **Faster**
- **Light-Weight**
- **Efficient**



TITAN's Patented Technology T-SERIES ***The New Global Standard*** for Hydraulic Torque Tools.

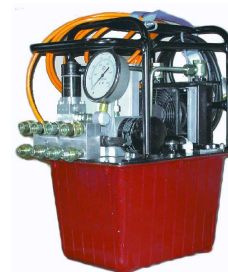


- **Patented Zero Deflection Housing** - For Exceptional Strength, resulting in longer tool life and less repair cost.
- **TITAN Tru-Swivel™** - Advanced patented, Multi-Axis design provides a low profile combined with ease of motion.
- **Designed from finite element** - Insures Quality - lower total cost of ownership.
- **Patented Piston Dampening System** - Eliminates tool breakdown normally incurred from over stroke and shock damage resulting in longer tool life and lower repair costs.
- **Finely crafted** - of the highest quality Aircraft Grade Materials for unrivaled strength and long life.
- **Guaranteed Quality** - Titan backs its products with the strongest warranty in the business.
- **Unique Drive Pawl Design** -for unrivaled durability accuracy and efficiency.
- **TITAN T-SERIES - Proven!** *Titan Technologies is the fastest growing company in our industry. We provide a better engineered tool at competitive prices. Our tools are designed for longer life so your total cost of ownership is less with Titan. The quality of the products, our service and our people are the reason for this unprecedented growth.*



Accessories for the T-Series Tool

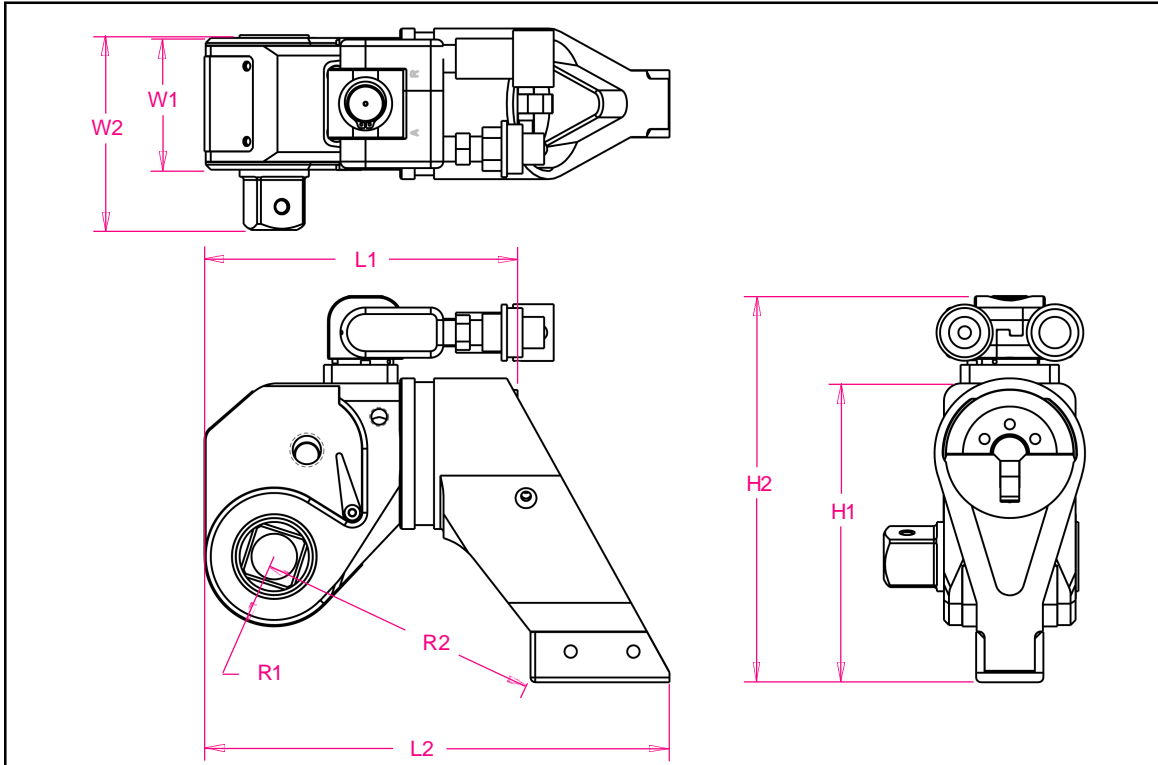
- **Extended & short reaction arm**
- **Square Drives**
- **Direct Drives and Sockets**
- **Impact Sockets**
- **Square & Hex Drive Accessories**
- **Hex stock**
- **Custom Engineered Solutions**



Hydraulic Power Units

ENGINEERED FOR QUALITY BUILT TO LAST!

*FOUR times
the LIFE EXPECTANCY
of our competitors!*



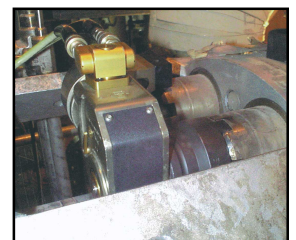
Titan's Patented Piston Dampening system protects the tool and the operator when loosening the most stubborn fasteners.



Fast, Dependable, Accurate. Titan T-Series gets the job done even in the most hostile environment.



Patented Multi-Axis Swivel provides for better accessibility and prevents hose kinking.



High Quality Impact Sockets are Available in Fractional, Metric, 12-Point and Castellated styles.



Titan's patented housing makes the difficult job, easier.

TITAN MODEL NUMBER		T1	T3	T5	T8	T10	T25
Square Drive Size	(In)	3/4	1	1-1/2	1-1/2	1-1/2	2-1/2
Optional Square Drive Sizes	(In)	1/2 & 1	3/4 & 1 1/2	1 & 2 1/2	1 & 2 1/2	1 & 2 1/2	1 1/2 & 3 1/2
Range Optional Hex Drive Sizes (Other sizes and special drives are available upon request)	(In)	3/8 to 1	5/8 to 1 1/4	1 to 1 1/2	1 1/8 to 1 3/4	1 1/4 to 2	1 5/8 to 2 1/4
	(mm)	9 to 26	16 to 32	26 to 38	28 to 45	32 to 51	41 to 57
Torque Range	(Ft-Lb)	140 to 1400	300 to 3100	500 to 5700	800 to 8800	1100 to 11500	2500 to 25500
	(N-M)	190 to 1900	400 to 4200	680 to 7800	1100 to 12000	1500 to 15600	3400 to 34600
Weight; Includes Reaction Arm	(Lb)	5.0	10.0	17.0	25.0	30.0	70.0
	(Kg)	2.27	4.54	7.71	11.34	13.61	31.75
DIMENSIONS							
L1 - Body Length	(In)	4.81	6.29	7.10	7.70	8.80	11.80
	(mm)	122.2	159.8	180.3	195.6	223.5	299.7
L2 - Overall Length; Includes Arm	(In)	6.95	9.59	11.22	12.57	13.89	18.52
	(mm)	176.5	243.6	285.0	319.3	352.8	470.4
H1 - Tool Height	(In)	3.63	4.93	5.75	6.50	7.84	9.60
	(mm)	92.2	125.2	146.1	165.1	199.1	243.8
H2 - Overall Height; Includes Swivel	(In)	4.95	6.75	7.71	8.49	9.11	11.55
	(mm)	125.7	171.5	195.8	215.6	231.4	293.4
W1 - Tool Width	(In)	1.98	2.63	3.15	3.57	3.95	5.25
	(mm)	50.3	66.8	80.0	90.7	100.3	133.4
W2 - Tool Width; Includes Sq. Dr.	(In)	2.83	3.89	4.65	5.09	5.61	7.48
	(mm)	71.9	98.8	118.1	129.3	142.5	190.0
R1 - Tool Radius around the Bolt	(In)	0.98	1.13	1.56	1.76	1.95	2.60
	(mm)	24.9	28.7	39.6	44.7	49.5	66.0
R2 - Reaction Reach	(In)	3.85	5.33	6.15	6.96	7.69	1.03
	(mm)	97.8	135.4	156.2	176.8	195.3	26.0

TITAN Mission Statement

Our mission is to be the leading global provider of high-end bolting solutions for the benefit of our customers, our shareholders, our employees and our partners by providing:

- *Direct customer relations and local presence in the markets served.*
- *Superior products and services.*
- *Total customer solutions.*

Our unwavering mission guides our everyday actions....
Customer driven product development fuels our growth....
Listening to customer needs builds our market leadership....
Continuous improvement is fundamental to our continued success.

Titan Technologies - Different from other companies that sell bolting products and services. Titan is a solutions based company which features a vast array of solutions to any bolting application.



People: Titan enjoys a worldwide network of experienced experts trained to recommend the most cost-effective solution for your bolting job.

Technical Expertise - Bolting applications experience in multiple industries including power generation, oil and gas, chemicals, pulp and paper and more.



Quality: All of our products are designed using the latest aerospace finite element design techniques and machining technology.

Local Service - Extensive network of independent sales representatives and authorized dealers located worldwide.



Engineering: Titan spends a higher percentage of its revenue in research and development to ensure the highest quality and most durable products on the market.

Quality Guarantee
Extensive Warranty

ADDITIONAL PRODUCTS & SERVICES OFFERED

- LP Series Hydraulic Torque Wrenches
- HydraJac Bolt Tensioners - Modular Style
- HydraJac Bolt Tensioners - Dedicated Style
- HydraNut Hydraulic Nuts
- Power Spreader Flange Spreaders
- Power Splitter Nut Splitters
- Air Tite Pneumatic Torque Wrenches
- Sockets & Accessories
- Striking Wrenches
- Rentals For All Product Lines
- Equipment Service & Repair
- Calibration Service



TITAN
TECHNOLOGIES INTERNATIONAL, INC

3340-B Greens Road Suite 605
Houston, TX 77032
Toll-Free: 866.345.8484
Phone: 281.449.9994 • Fax: 281.449.9996
Email: sales@titanti.com
<http://www.titanti.com>

Your Local **TITAN** Representative: